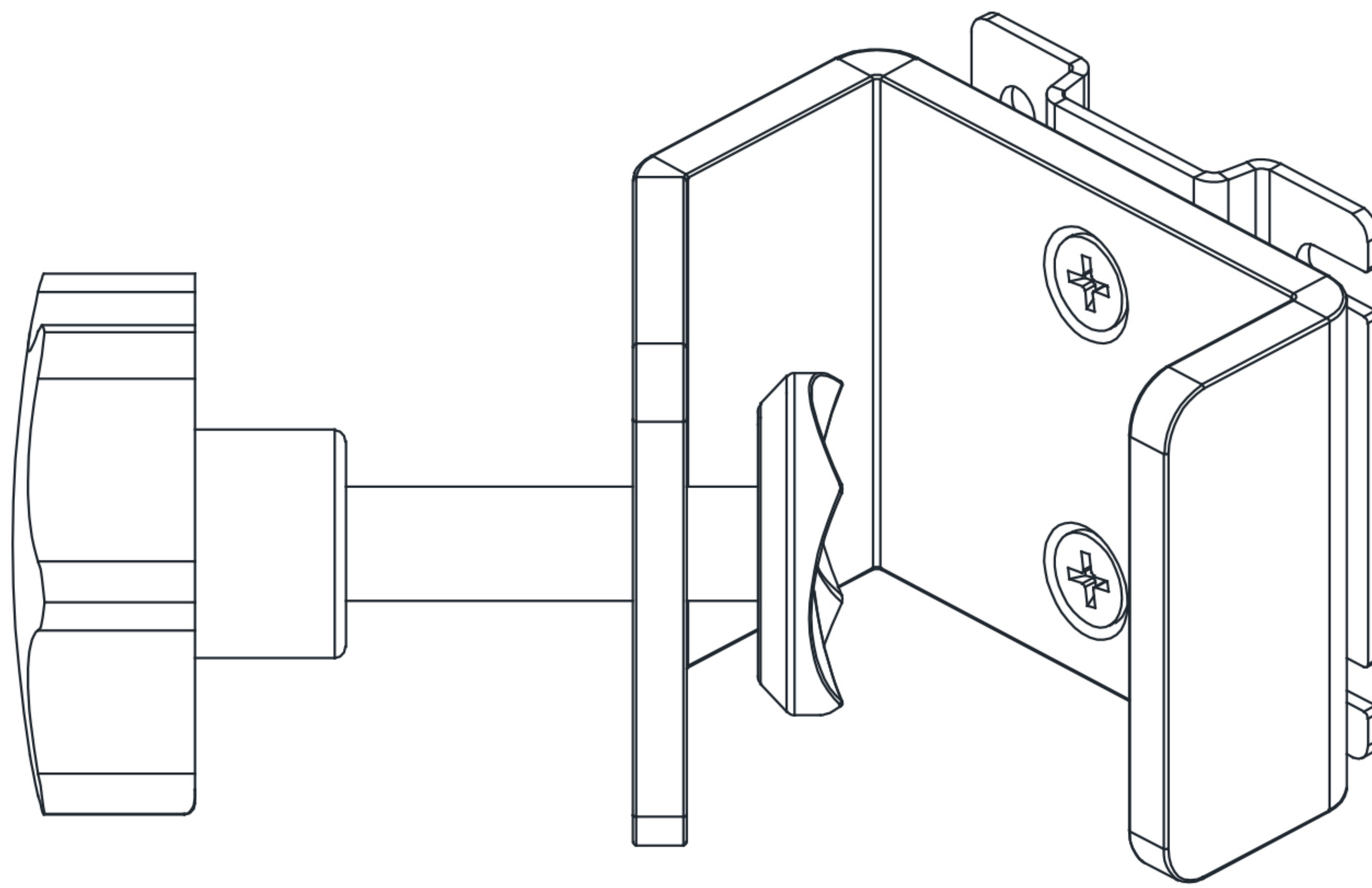

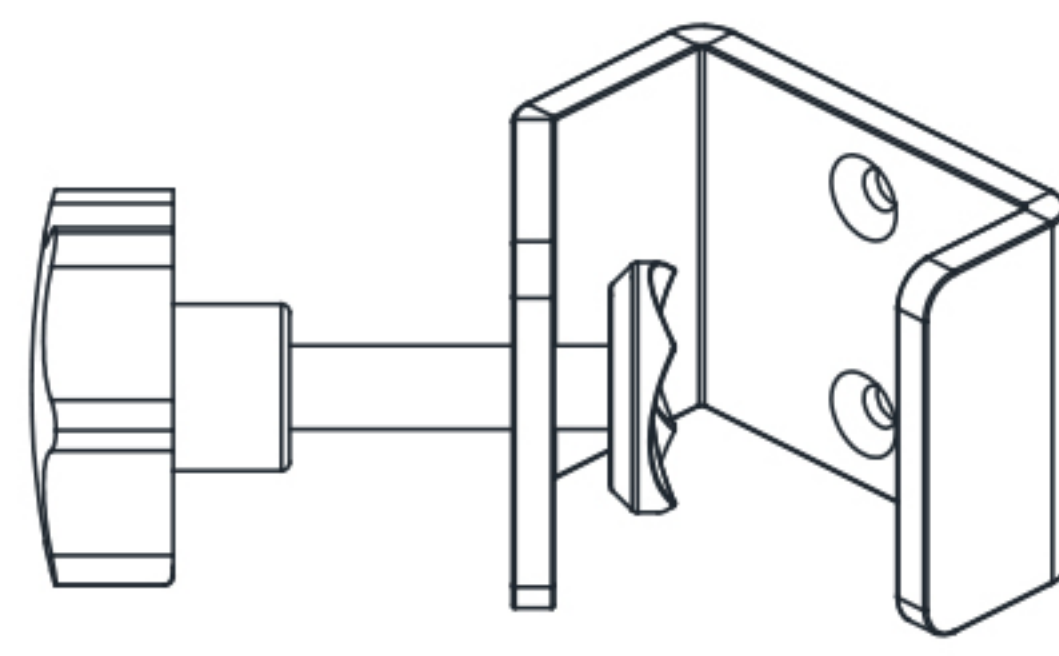
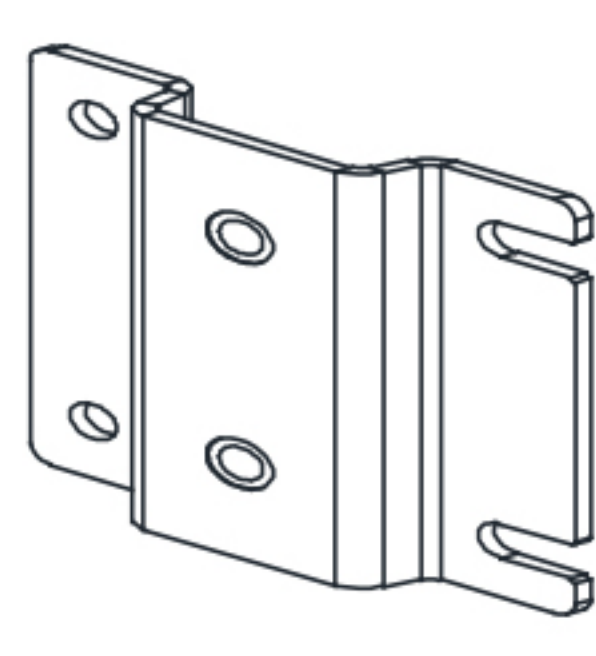
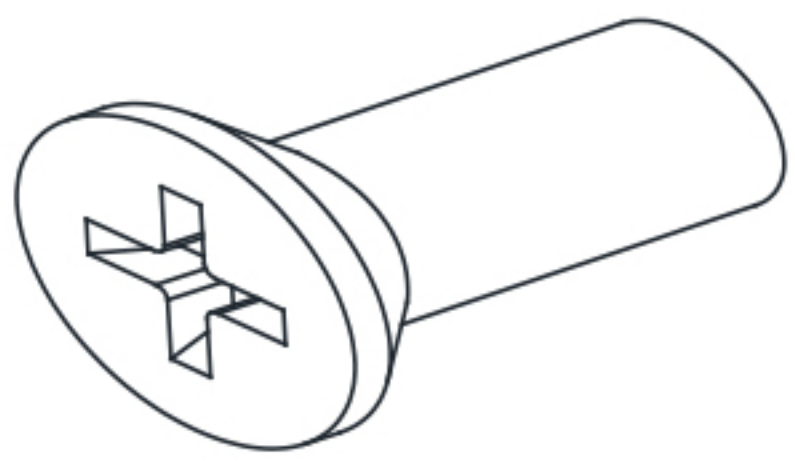
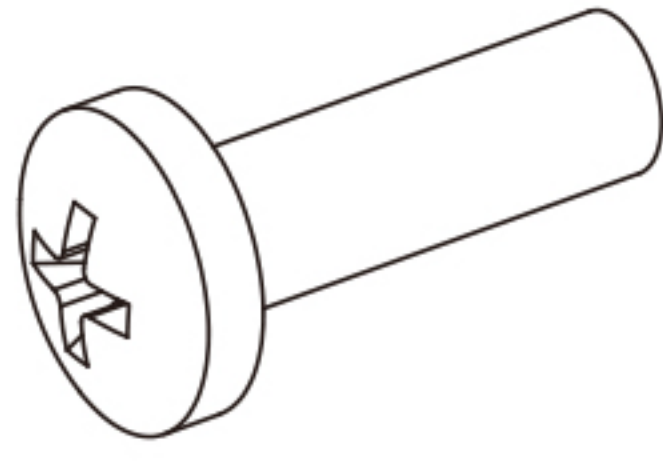
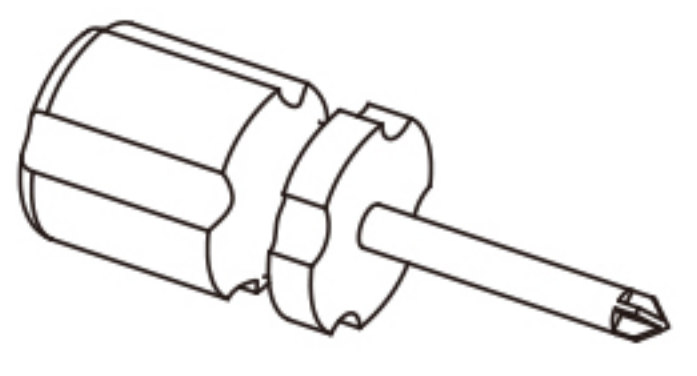




Installation Guide

Clamp for Module Rack
DG-016-004



 1X 	1X 	2X  M5x10	4X  M4x10	1X  screwdriver
------------------------------------------------------------------------------------------------------------------------------------------------------------------------------	-------------------------------------------------------------------------------------------	-----------------------------------------------------------------------------------------------------	------------------------------------------------------------------------------------------------------	------------------------------------------------------------------------------------------------------------

Akiteck International Pte Ltd

ADD: 280 WOODLANDS INDUSTRIAL PARK E5, #06-44, HARVEST
@ WOODLANDS, Singapore 757322

Singapore Line: +65 9671 2188

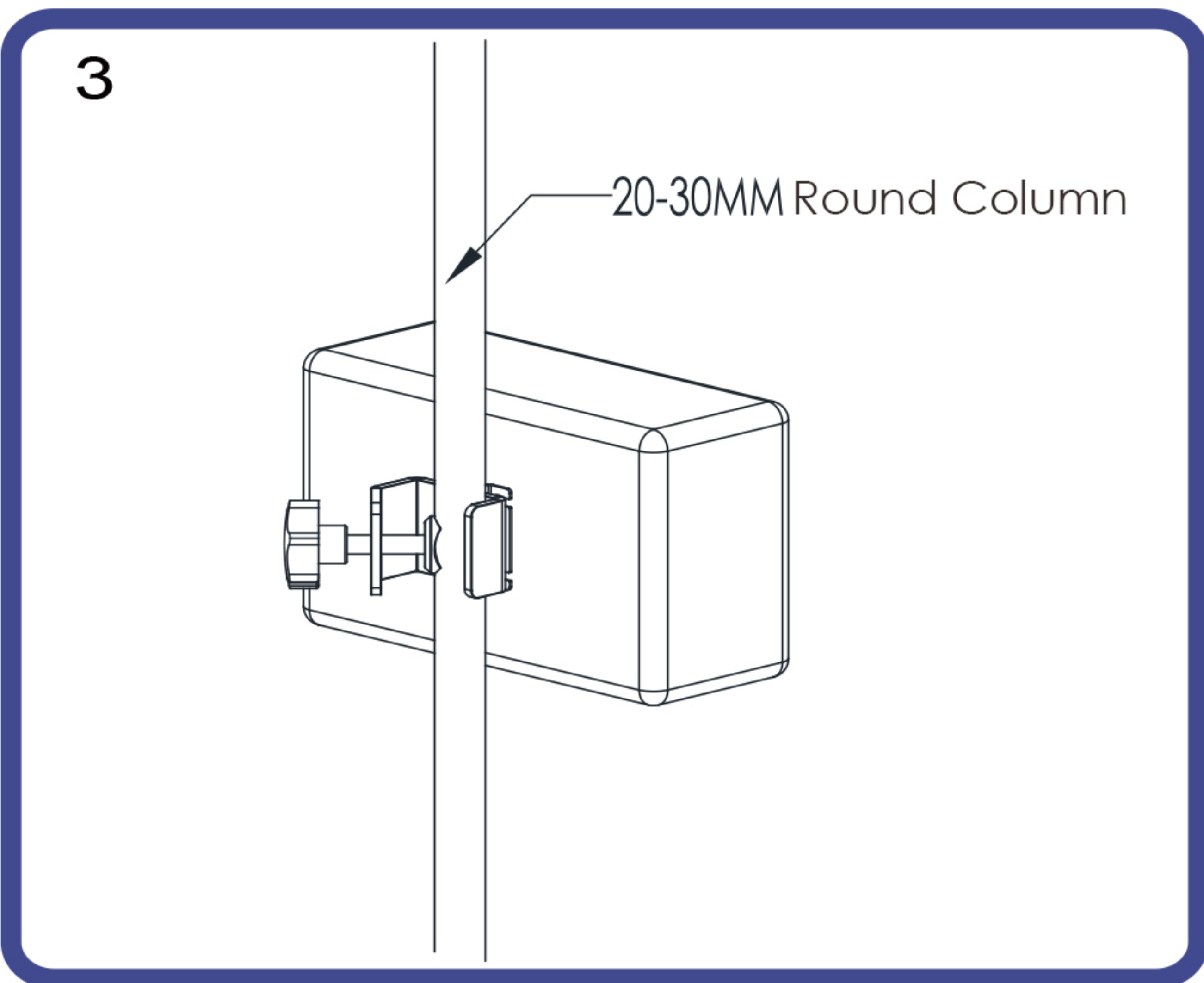
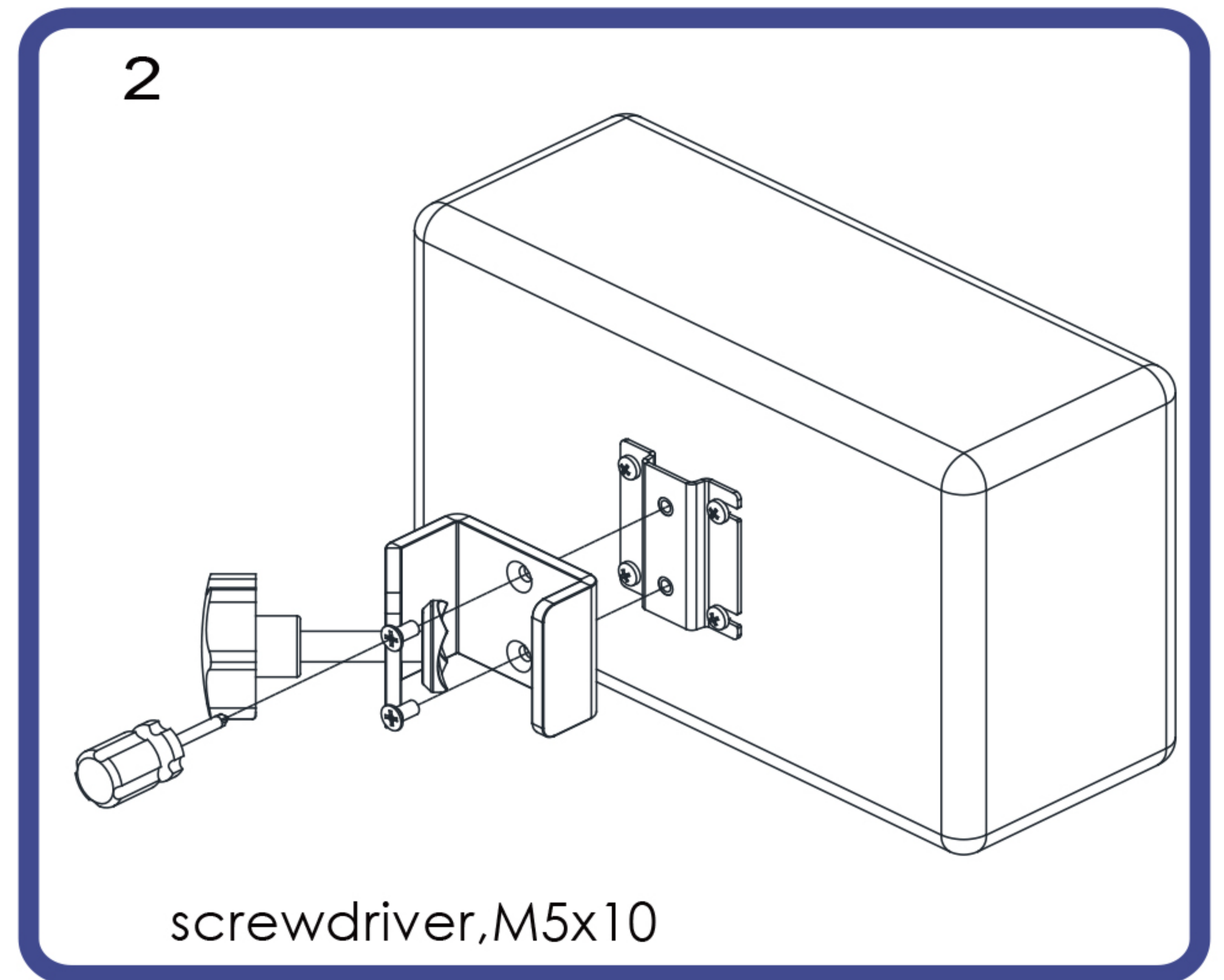
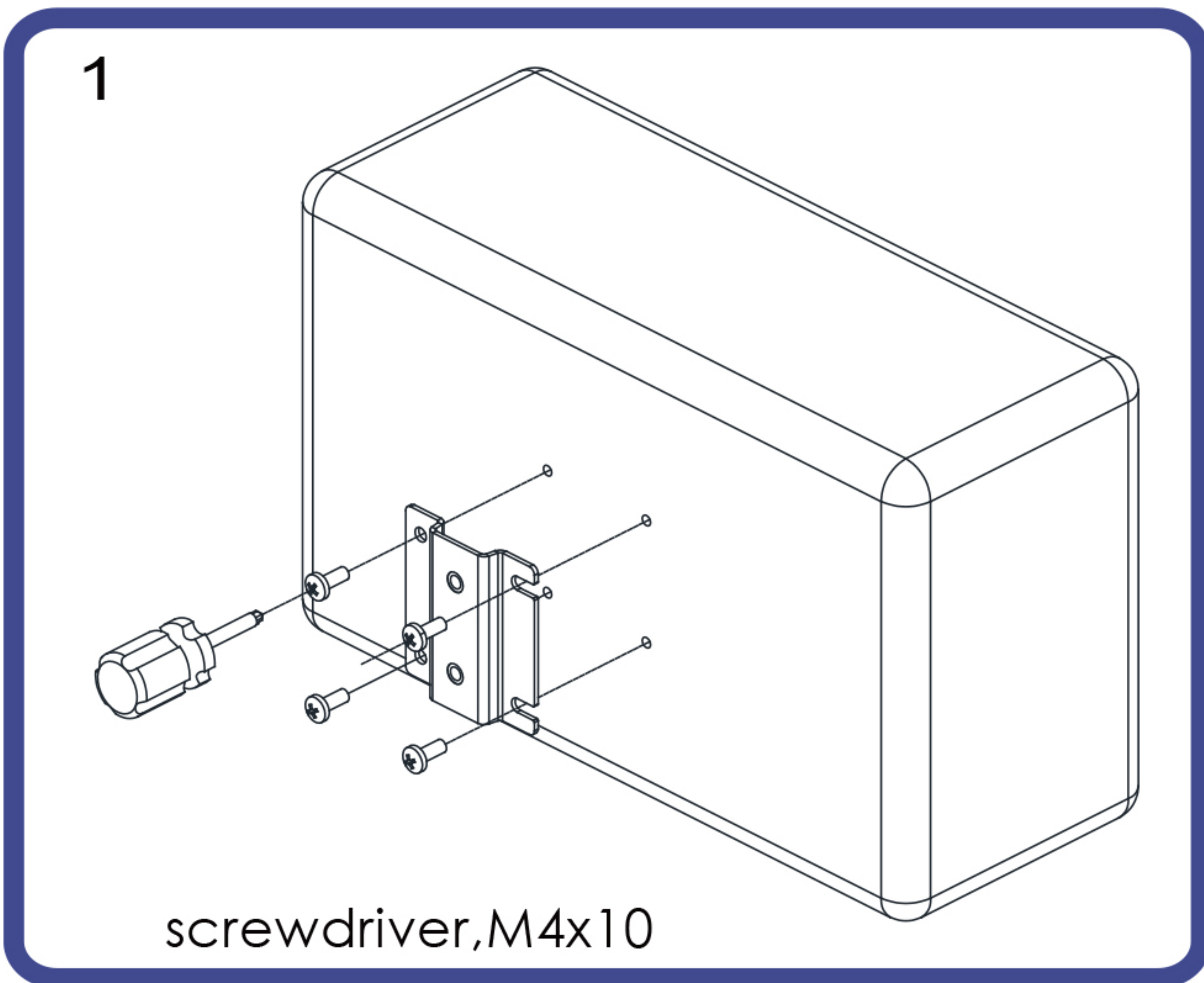
China Line: +86 134 2488 9887

E-mail: marcus@akiteck.com.sg





Installation Steps



Akiteck International Pte Ltd

ADD: 280 WOODLANDS INDUSTRIAL PARK E5, #06-44, HARVEST
@ WOODLANDS, Singapore 757322

Singapore Line: +65 9671 2188

China Line: +86 134 2488 9887

E-mail: marcus@akiteck.com.sg

