

Articulating Cart (For VivoLight)

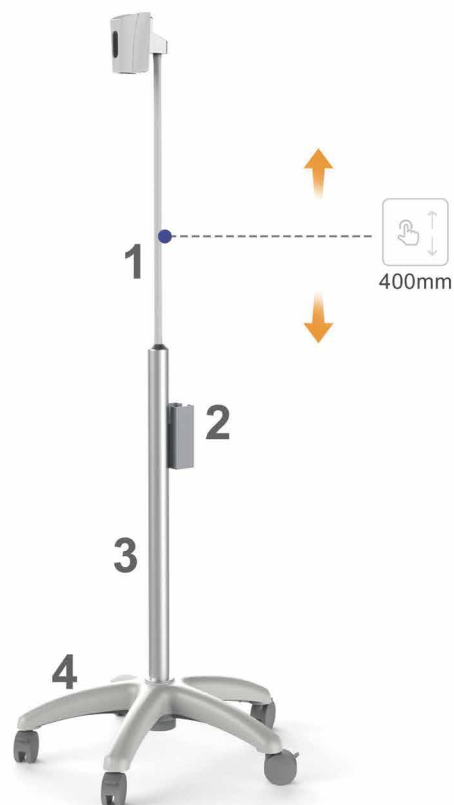
DG-005-035

1, Swan-Ganz Catheter

2, Adapter Holder

3, Column

4, Base Size: 506 X 530 mm



Articulating Cart (For VivoLight)

DG-005-035

Dimension

