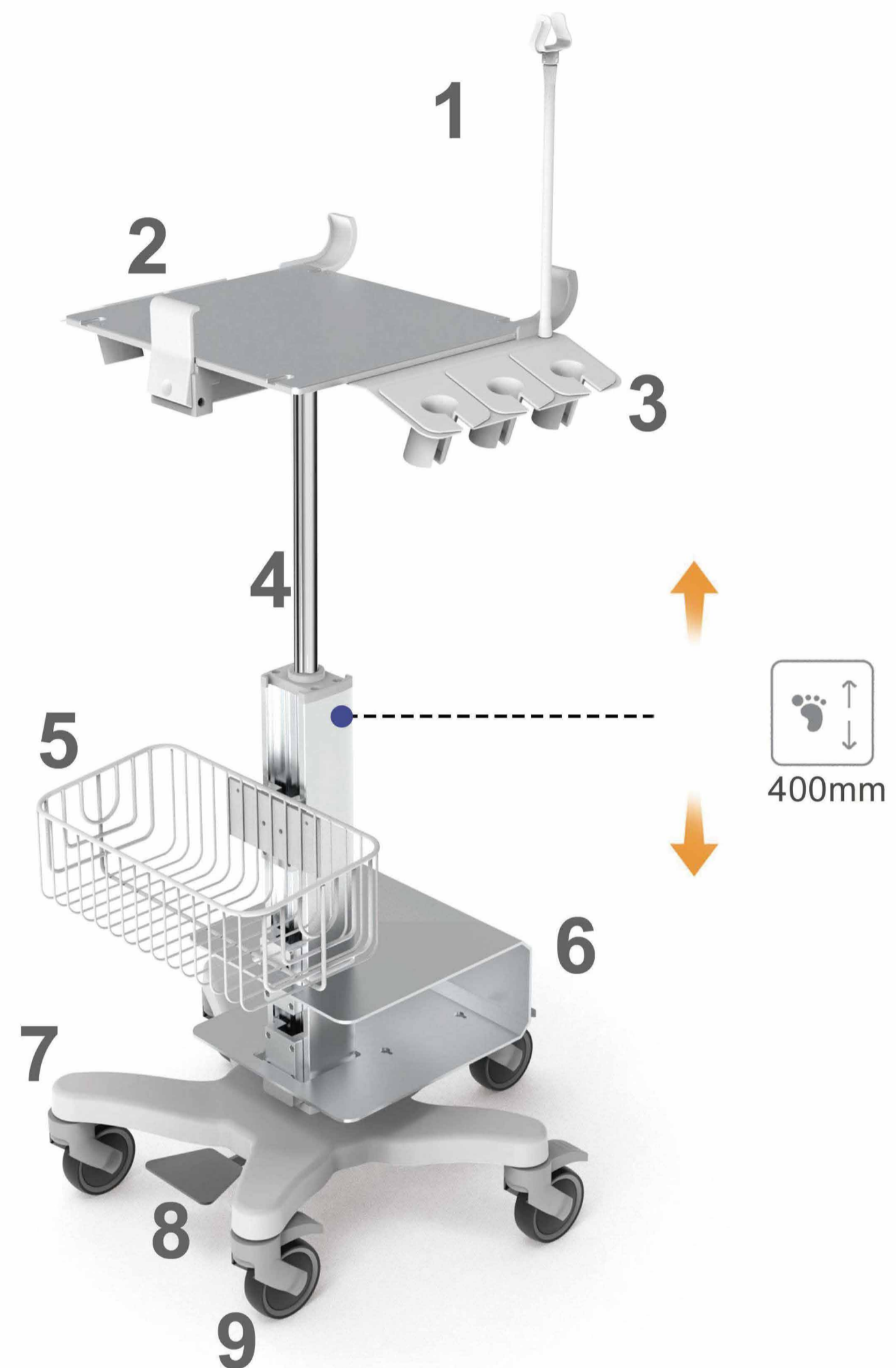


# HS1 Cart (For Konica)

KON-005-001(B)

- 1, Cable Management Hook
- 2, KON Device Work Surface
- 3, Probe Holder
- 4, Variable Height Column
- 5, Basket
- 6, Power Supply Mount
- 7, Base:600 X 600 mm
- 8, Height Adjustment Foot Pedal
- 9, 4 Inch TENTE Locking Casters



# HS1 Cart (For Konica)

KON-005-001(B)

## Dimension

