

# Patient Monitor Cart (For Edwards EV1000)

EDW-005-01W

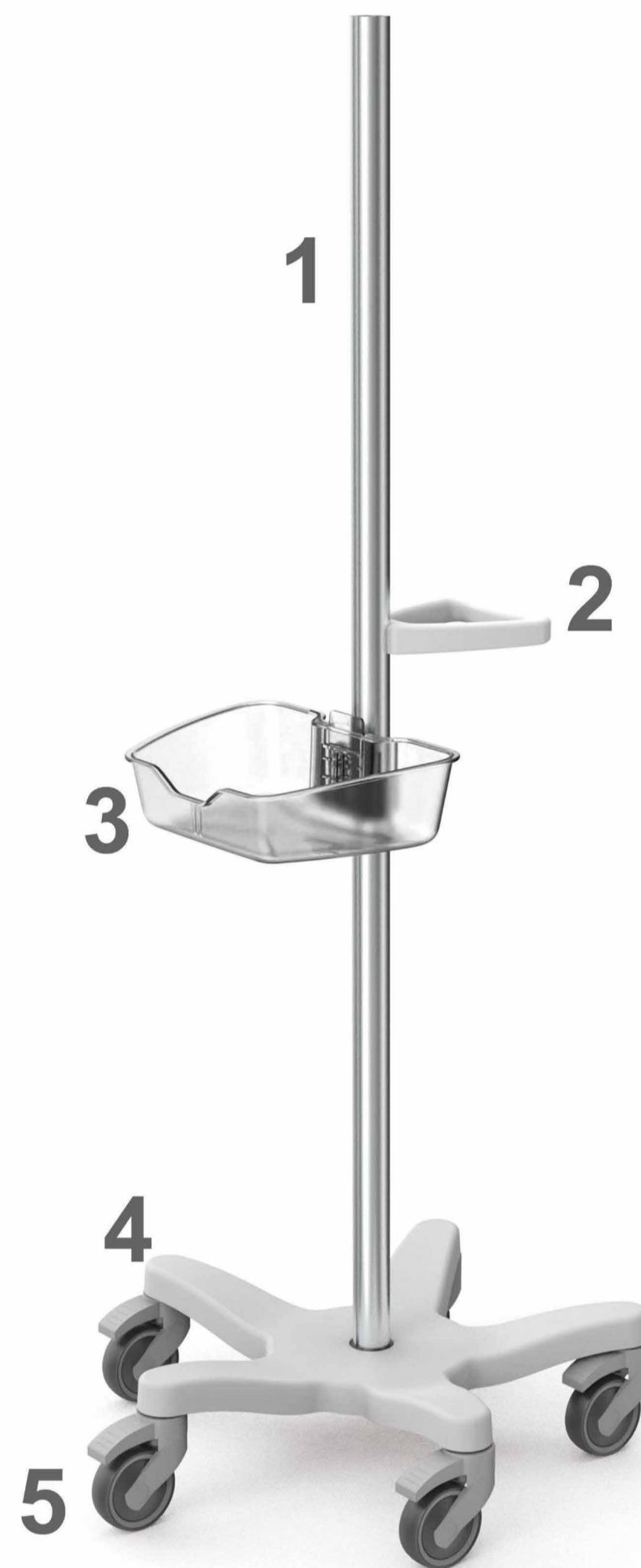
1, Column

2, Handle

3, Quick Release Storage Box

4, Base 600 X 600 mm

5, 4 Inch TENTE Locking Casters



# Patient Monitor Cart (For Edwards EV1000)

EDW-005-01W

## Dimension

