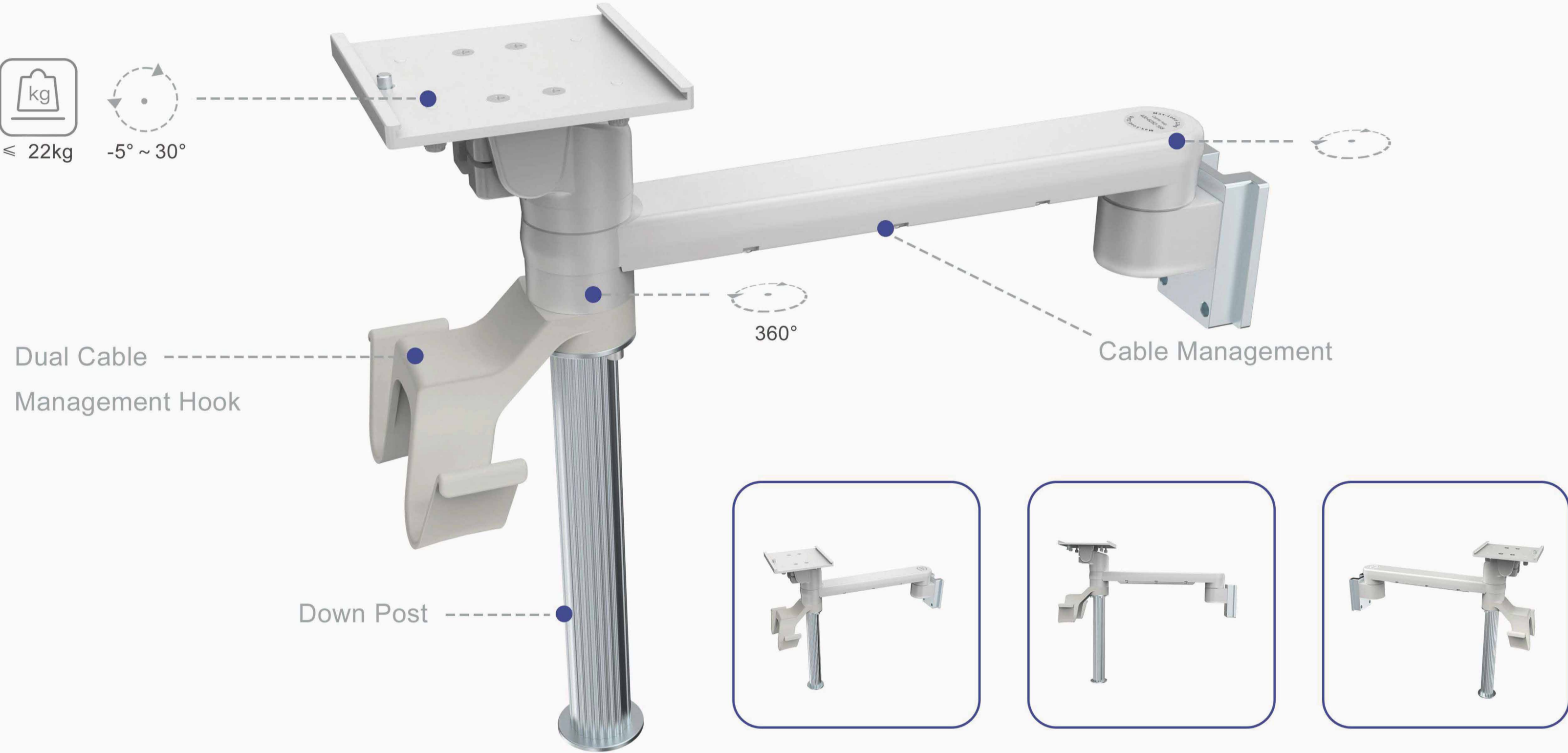
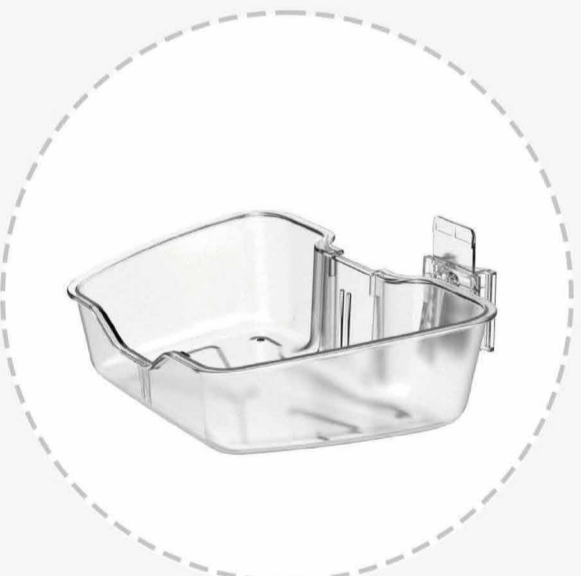


# 12 Inch MF Patient Monitor Arm

DG-013-015W



## Optional accessories



Quick Release Storage Box



2050 Pole Clamp



Standard Channel



Cable Hook

# 12 Inch MF Patient Monitor Arm

DG-013-015W

## Dimension

