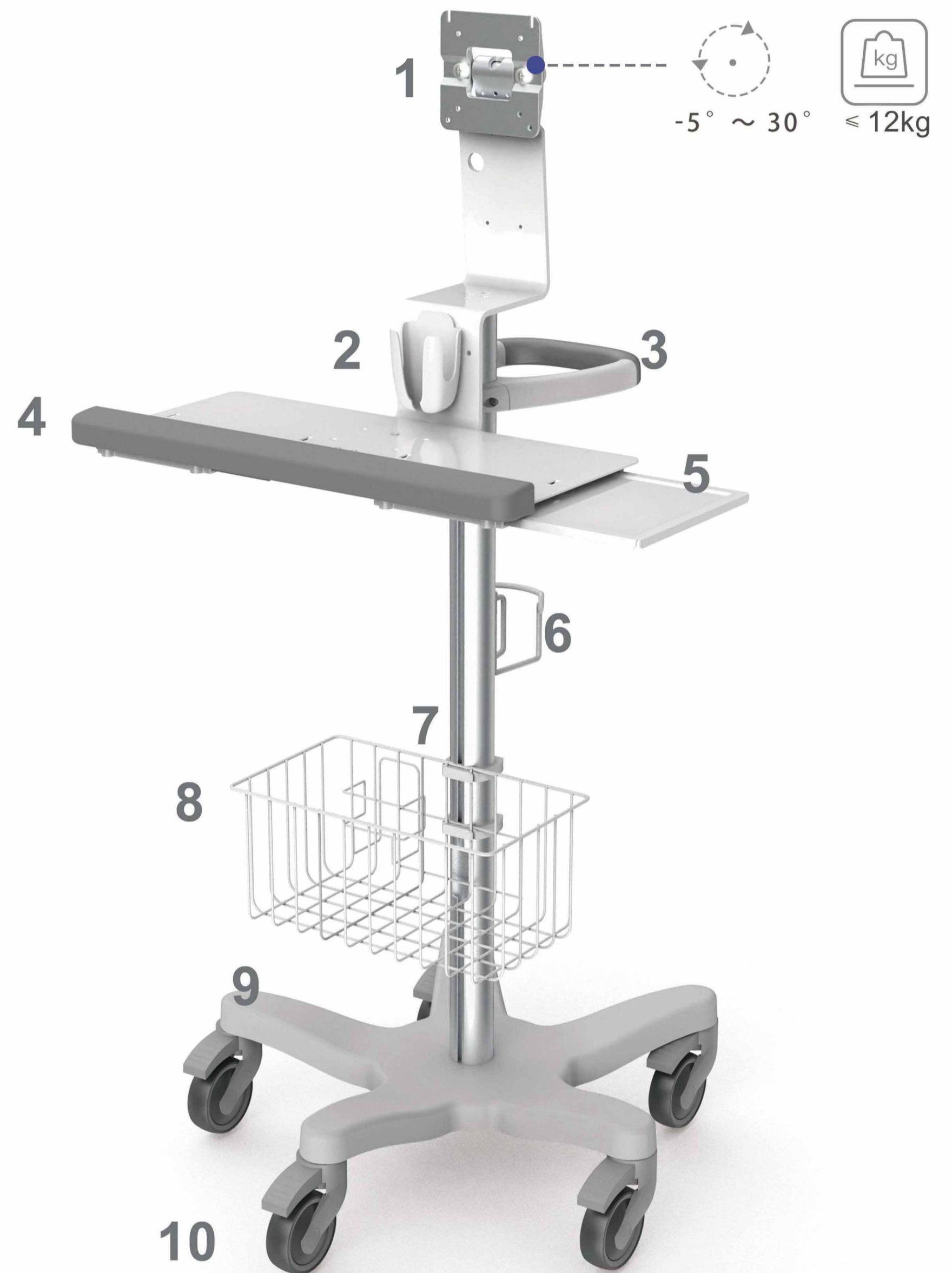


Hanma Mobile Workstation (Fixed Height)

DG-005-051

Applications ▶ Mobile Workstation

- 1, VESA
- 2, Mouse Holder
- 3, Rear Handle
- 4, Keyboard Tray
- 5, Mouse Tray
- 6, Hand sanitizer Holder/Disinfectant Holder
- 7, Aluminum column
- 8, Hanging Basket
- 9, Base:600X600mm
- 10, 4 Inch TENTE Locking Casters



Hanma Mobile Workstation (Fixed Height)

DG-005-051

Dimension

