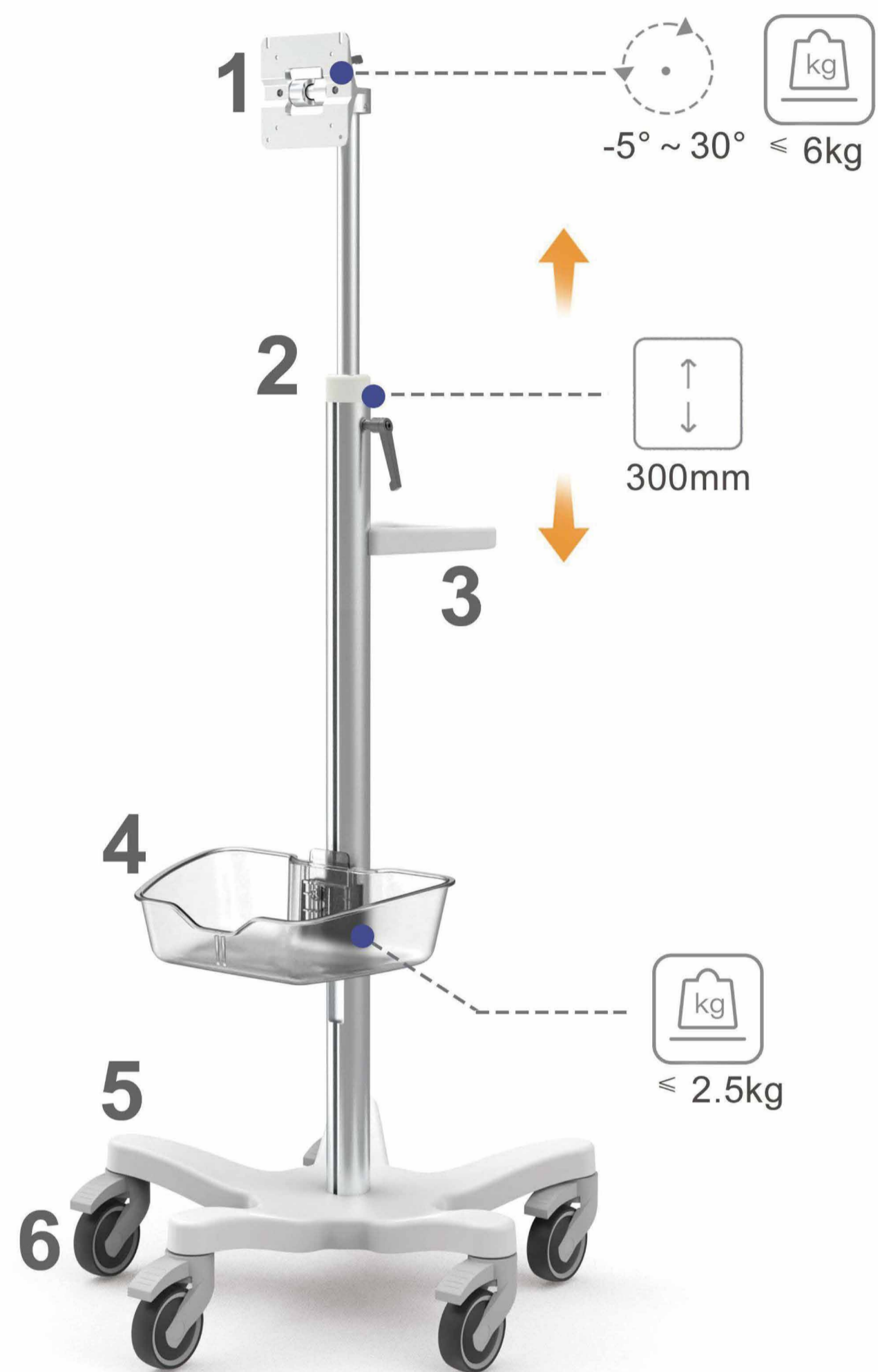


Patient Monitor Cart (For Comen)

CMN-004-020

- 1, VESA
- 2, Variable Height Column
- 3, Handle
- 4, Quick Release Storage Box
- 5, Base 600 X 600 mm
- 6, 4 Inch TENTE Locking Casters



Patient Monitor Cart (For Comen)

CMN-004-020

Dimension

